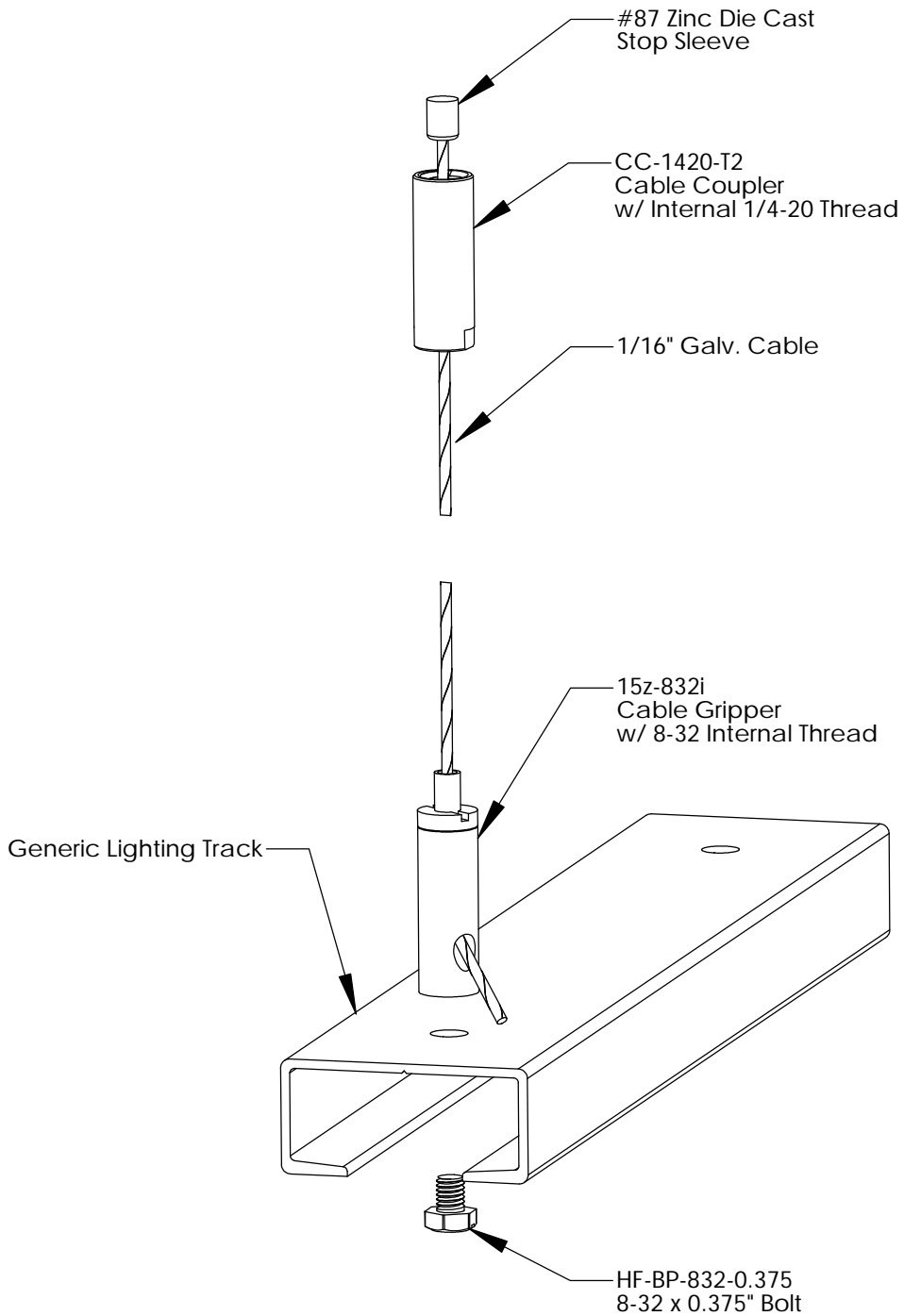


Lighting Track NPF Suspension Set



PROPRIETARY AND CONFIDENTIAL
 This drawing and these specifications are the exclusive property of REUTLINGER USA INC. and shall not be divulged, reproduced, copied, or used as the basis for the manufacture or sale of apparatus without the express written authorization of REUTLINGER USA INC.

REF: _____ DATE: 12/17/03

MATERIAL: NA

SCALE: 1:1 FILE: lighting track suspension



GRIPLOCK SYSTEMS
 1132 Mark Ave., Carpinteria, CA 93013
 Phone (805) 566-0064 Fax (805) 566-0065

GRIPLOCK NAME: Lighting Track Sus. Set

DESCRIPTION: Non Powerfeed Lighting Track Suspension Set