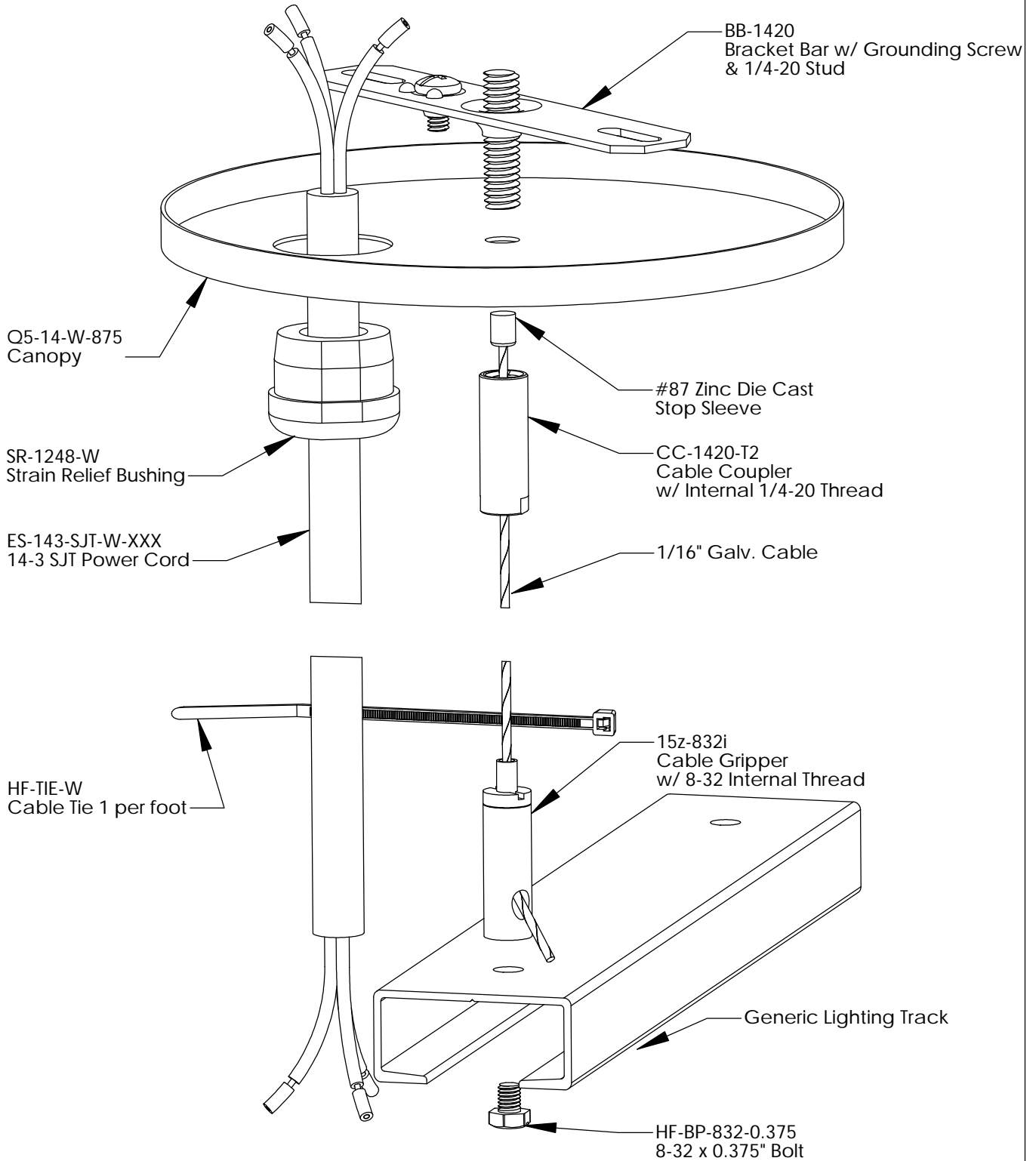


# Lighting Track PFS Suspension Set



**PROPRIETARY AND CONFIDENTIAL**

This drawing and these specifications are the exclusive property of REUTLINGER USA INC. and shall not be divulged, reproduced, copied, or used as the basis for the manufacture or sale of apparatus without the express written authorization of REUTLINGER USA INC.

REF: \_\_\_\_\_ DATE: 07/21/05  
 MATERIAL: NA  
 SCALE: 1:1 FILE: lighting track PFS suspension



**GRIPLOCK SYSTEMS**

1132 Mark Ave., Carpinteria, CA 93013  
 Phone (805) 566-0064 Fax (805) 566-0065

GRIPLOCK NAME: Lighting Track PF Sus. Set

DESCRIPTION: Powerfeed Lighting Track

Suspension Set