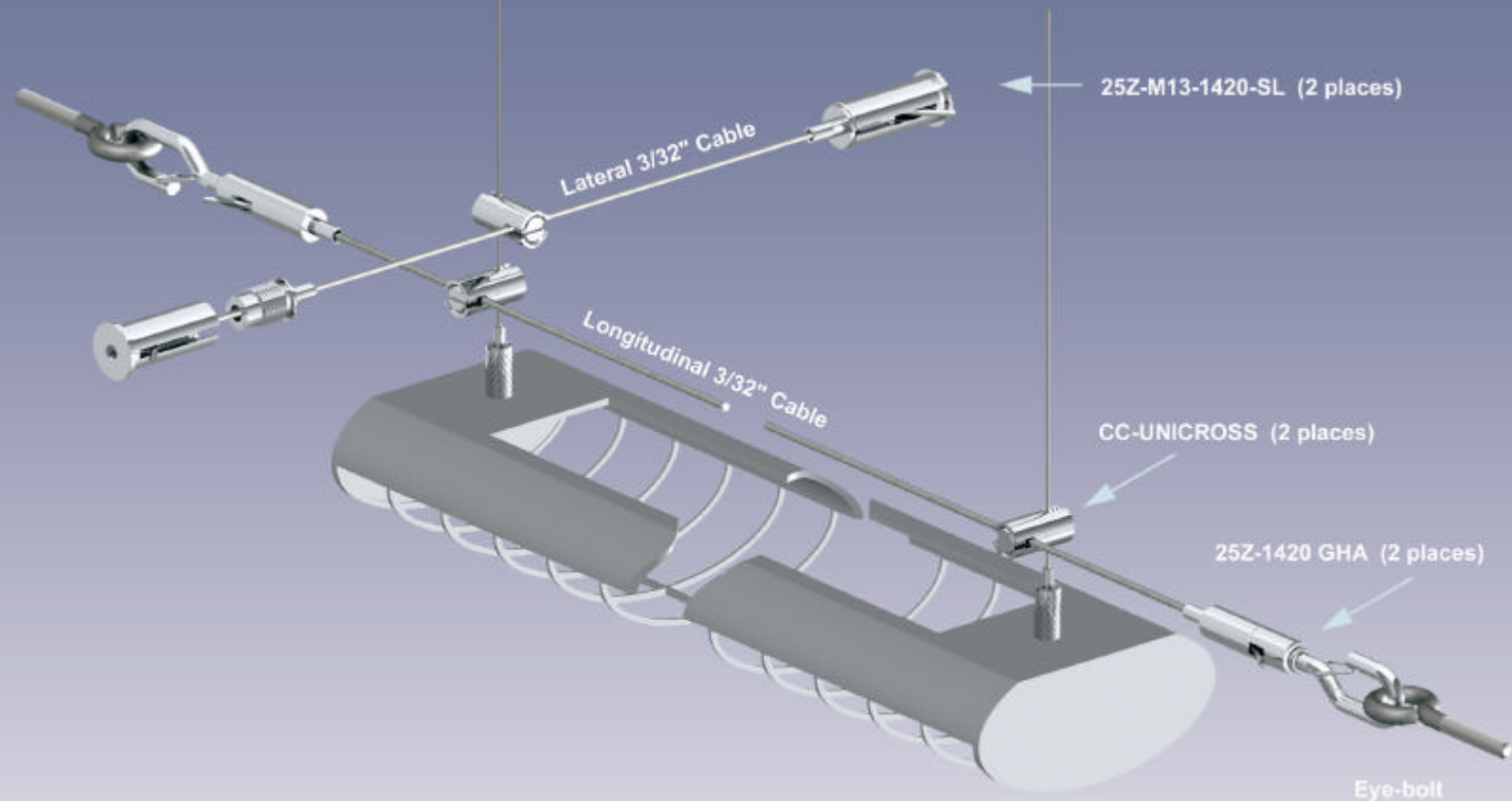


Griplock Seismic Bracing System



Longitudinal and lateral 3/32" cables run from wall to wall intersecting vertical & horizontal cables just above the fixture. There is an adjustable gripper at either cable end so bulk 3/32" cable can be used. Use 25Z-M13-1420-SL Glider & coupler combo for cables that run perpendicular to wall surfaces, or 25Z-1420-GHA gripper & hook for all wall surfaces including angles.

Griplock's Unicross connector locks any two cables together at any angle.

Ask for p/n 25Z-M13-1420-SL, 25Z-1420-GHA & CC-UNICROSS Wall mounting hardware is not supplied.

