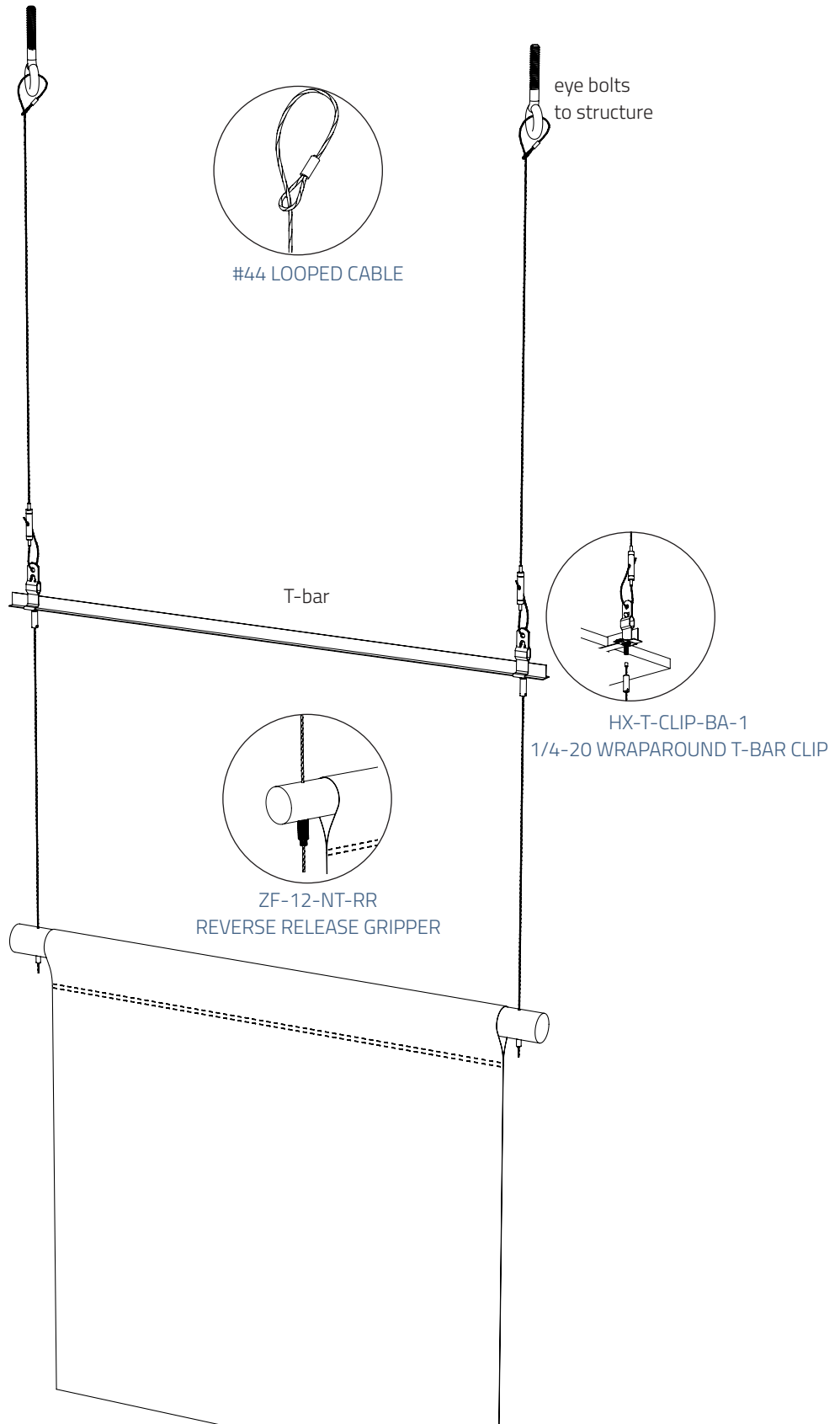


2-CABLE LOOPED CABLE WRAPAROUND T-BAR CLIP AND REVERSE RELEASE GRIPPER



DATE: 07/16/08

SCALE: 1:4

FILE:

PROPRIETARY AND CONFIDENTIAL

This drawing and these specifications are the exclusive property of GRIPLOCK SYSTEMS INC. and shall not be divulged, reproduced, copied, or used as the basis for the manufacture or sale of apparatus without the express written authorization of GRIPLOCK SYSTEMS INC.



GRIPLOCK SYSTEMS

1132 Mark Ave., Carpinteria, CA 93013
Phone (805) 566-0064 Fax (805) 566-0065
www.griplocksystems.com