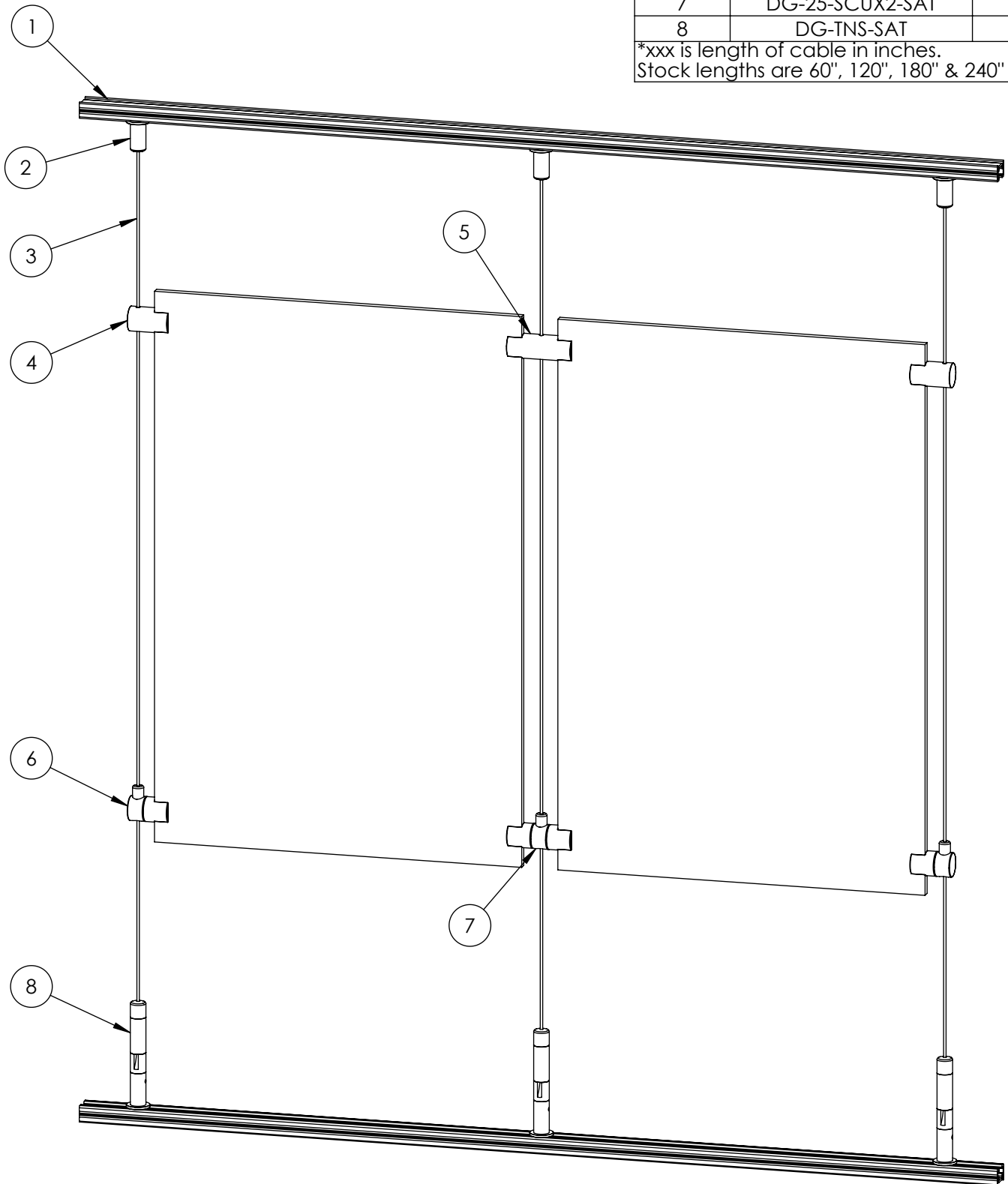


3-CABLE FLOOR & CEILING TRACK SIGN CLAMP SYSTEM

BILL OF MATERIALS		
ITEM #	GRIPLOCK P/N	QTY.
1	DG-TRACK-80	2
2	DG-CC-SAT	3
3	DAS-20-87-xxx*	3
4	DG-GC-SAT	2
5	DG-GCX2-SAT	1
6	DG-25-SCU-SAT	2
7	DG-25-SCUX2-SAT	1
8	DG-TNS-SAT	3

*xxx is length of cable in inches.
Stock lengths are 60", 120", 180" & 240"



DATE: 07/17/08

SCALE: 22:100

FILE: 3 Cable Floor & Ceiling
Track Sign Clamps

PROPRIETARY AND CONFIDENTIAL

This drawing and these specifications are the exclusive property of GRIPLOCK SYSTEMS INC. and shall not be divulged, reproduced, copied, or used as the basis for the manufacture or sale of apparatus without the express written authorization of GRIPLOCK SYSTEMS INC.

**GRIP
LOCK**
SYSTEMS

GRIPLOCK SYSTEMS

1132 Mark Ave., Carpinteria, CA 93013
Phone (805) 566-0064 Fax (805) 566-0065
www.griplocksystems.com