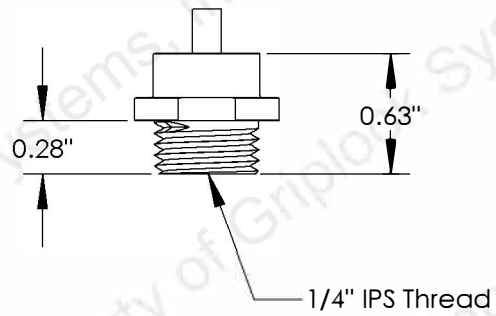
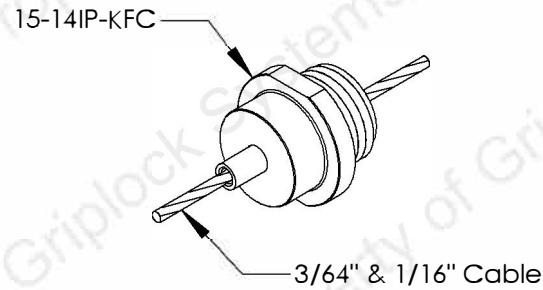


Scale: 1:1



<p>PROPRIETARY AND CONFIDENTIAL</p> <p>This drawing and these specifications are the exclusive property of REUTLINGER USA INC. and shall not be divulged, reproduced, copied, or used as the basis for the manufacture or sale of apparatus without the express written authorization of REUTLINGER USA INC.</p>		<p>GRIPLOCK SYSTEMS</p> <p>793 Duncan Reidville Rd. Duncan, SC 29334 Phone (805) 566-0064 Fax (805) 566-0065</p>
<p>REF: 193.000.607</p>	<p>DATE: 11/24/04</p>	
<p>MATERIAL: NICKEL PLATED BRASS</p>		<p>DESCRIPTION: 1/4" IPS Gripper for 3/64" & 1/16" 7x7 or 7x19 Cable</p>
<p>SCALE: 1:1</p>	<p>FILE: c-15-14ip-kfc</p>	