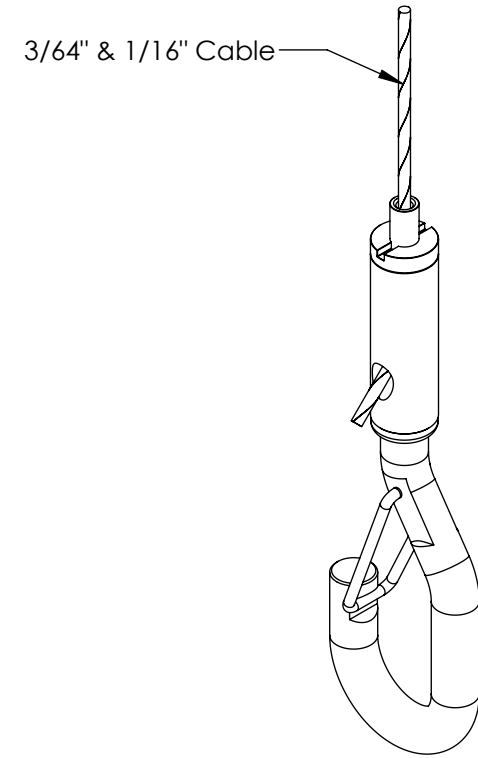
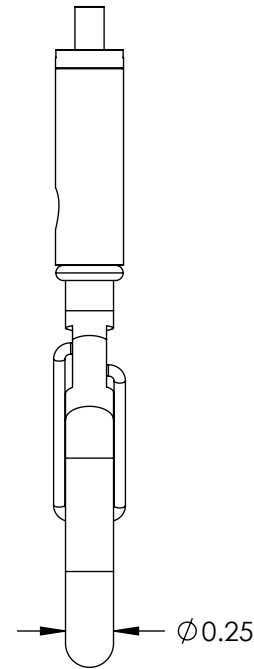
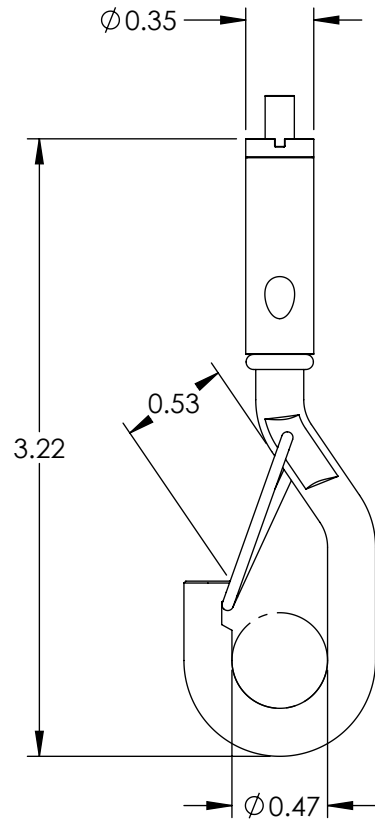


REVISIONS		
REV.	DESCRIPTION	DATE



PROPRIETARY AND CONFIDENTIAL
 This drawing and these specifications are the exclusive property of GRIPLOCK SYSTEMS LLC and shall not be divulged, reproduced, copied, or used as the basis for the manufacture or sale of apparatus without the express written authorization of GRIPLOCK SYSTEMS LLC.

REF: _____ DATE: 01/04/07

MATERIAL: VARIOUS

SCALE: 1:1 FILE: 15Z-1420-GHA c



GRIPLOCK SYSTEMS
 793 Duncan Reidville Rd. Duncan, SC 29334
 Phone (805) 566-0064 Fax (805) 566-0065

PART NUMBER: 15Z-1420-GHA

DESCRIPTION: Side Exit Gripper w/ Gated Hook for 3/64" & 1/16" 7x7 or 7x19 Cable