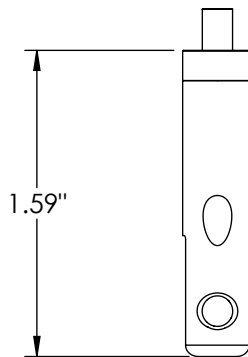
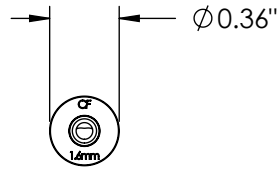
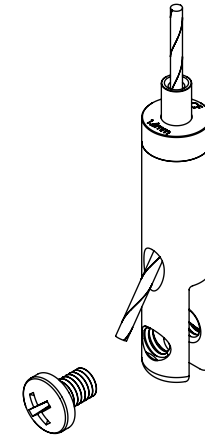
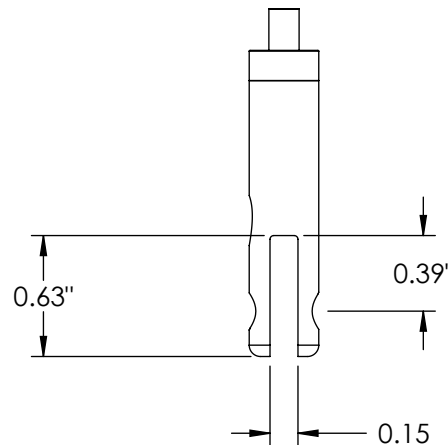


REVISIONS		
REV.	DESCRIPTION	DATE



10-32 UNF 2B
Thread Thru
Both Sides



Unless otherwise specified
1. Dimensions are in inches
2. Tolerances are:
.XX ±.01 .XXX ±.005 Angles 1°
3. Break all edges .005 min
4. Finish 63 micro inches
5. Dimensions apply after finish
6. Concentricity = .025 TIR

PROPRIETARY AND CONFIDENTIAL
This drawing and these specifications are the exclusive property of GRIPLOCK SYSTEMS LLC and shall not be divulged, reproduced, copied, or used as the basis for the manufacture or sale of apparatus without the express written authorization of GRIPLOCK SYSTEMS LLC.



GRIPLOCK SYSTEMS
793 Duncan Reidville Rd. Duncan, SC 29334
Phone (805) 566-0064 Fax (805) 566-0065
PART NUMBER: 15Z-GA-T2
DESCRIPTION: Side Exit Gripper for 3/64" & 1/16" 7x7 or 7x19 Cable

DRAWN BY RDK REV
CHECKED BY

REF: DATE: 03/08/10
MATERIAL: NICKEL PLATED BRASS
SCALE: 1:1 FILE: 15Z-GA-T2 c