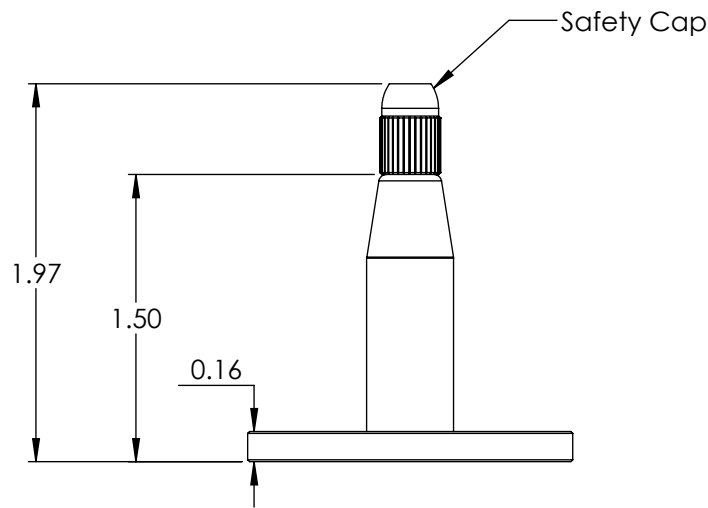
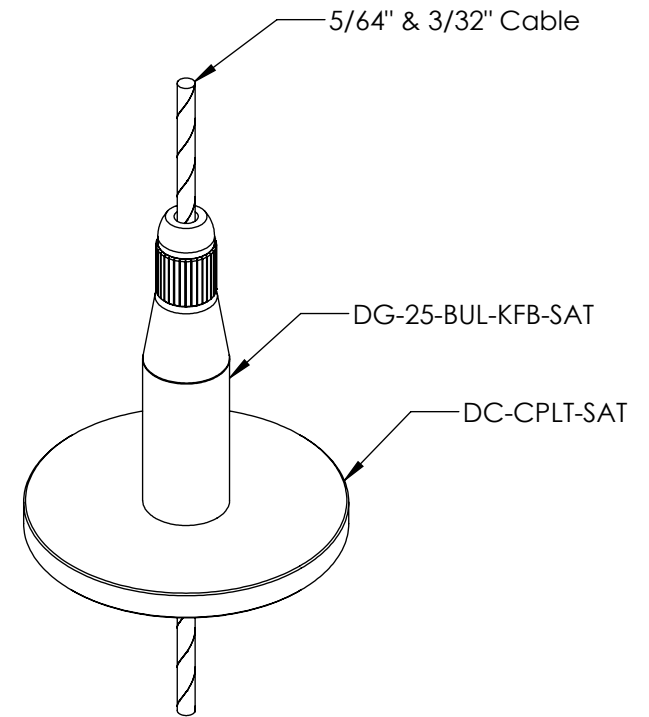
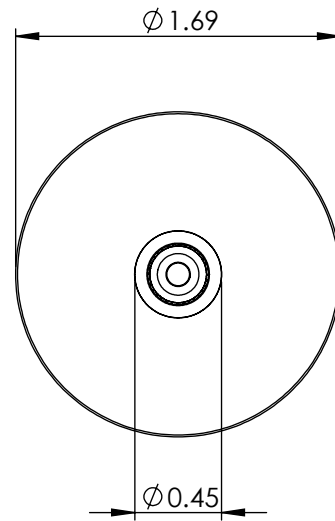


REVISION BLOCK		
REV	DESCRIPTION	DATE



SAFE WORKING LOAD WITH 3/32" 7X7 GALVANIZED CABLE: 95LBF

Unless otherwise specified
 1. Dimensions are in inches
 2. Tolerances are:
 .XX ±.01 .XXX ±.005 Angles 1°
 3. Break all edges .005 min
 4. Finish 63 micro inches
 5. Dimensions apply after finish
 6. Concentricity = .025 TIR

PROPRIETARY AND CONFIDENTIAL
 This drawing and these specifications are the exclusive property of GRIPLOCK SYSTEMS LLC. and shall not be divulged, reproduced, copied, or used as the basis for the manufacture or sale of apparatus without the express written authorization of GRIPLOCK SYSTEMS LLC.



GRIPLOCK SYSTEMS
 410 Palm Ave. Loft A18, Carpinteria, CA93013
 Phone (805) 566-0064 Fax (805) 566-0065
 PART NUMBER: **DG-25-BUL-CPLT-SAT**
 DESCRIPTION: **Gripper w/ Cover Plate**

DRAWN BY **JKB** REV **INT**
 CHECKED BY

REF: DATE: 04/21/11
 MATERIAL: SATIN CHROMIUM PLATED BRASS
 SCALE: 1:1 FILE: DG-25-BUL-CPLT-SAT