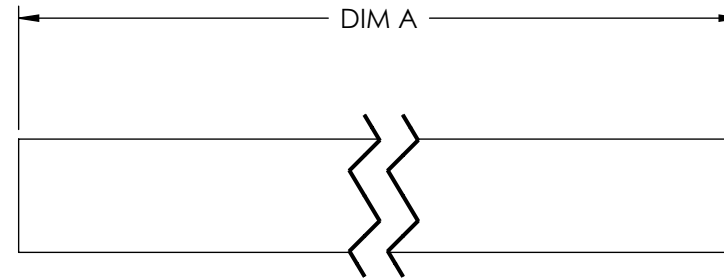
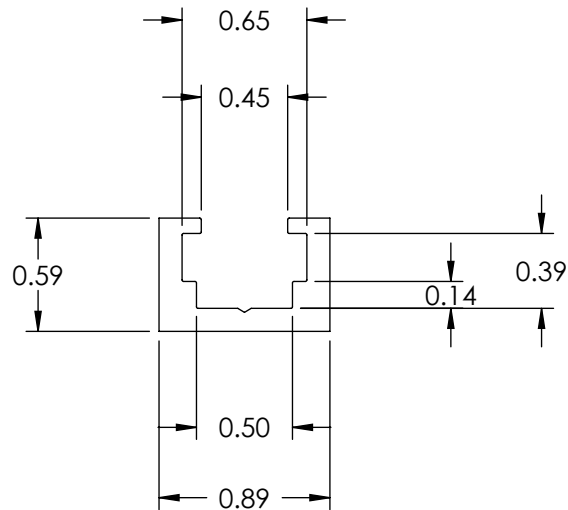
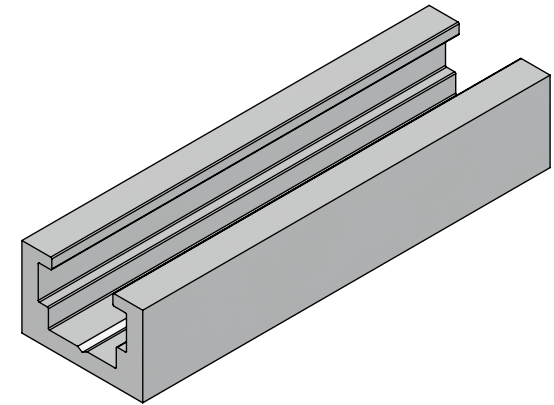


REVISION BLOCK		
REV	DESCRIPTION	DATE



DIM A	GRIPLOCK P/N
72	DG-TRACK-72
80	DG-TRACK-80

NOTES:

1) Maximum Safe Working Load: 125lbs/16in

2) Safe Working Load 35LBS with 3/64" Cable Per Suspension Point

3) Safe Working Load 50LBS with 1/16" Cable Per Suspension Point

2) Safe Working Load 90LBS with 5/64" Cable Per Suspension Point

2) Safe Working Load 125LBS with 3/32" Cable Per Suspension Point

Unless otherwise specified
 1. Dimensions are in inches
 2. Tolerances are:
 .XX ±.01 .XXX ±.005 Angles 1°
 3. Break all edges .005 min
 4. Finish 63 micro inches
 5. Dimensions apply after finish
 6. Concentricity = .025 TIR

DRAWN BY RDK REV INT

CHECKED BY

PROPRIETARY AND CONFIDENTIAL

This drawing and these specifications are the exclusive property of GRIPLOCK SYSTEMS LLC and shall not be divulged, reproduced, copied, or used as the basis for the manufacture or sale of apparatus without the express written authorization of GRIPLOCK SYSTEMS LLC.

REF: DATE: 06/15/09

MATERIAL: ALUMINUM 6061-T6

SCALE: 1:1 FILE: DG-TRACK-xx c



GRIPLOCK SYSTEMS

1029 Cindy Lane, Carpinteria, CA 93013
 Phone (805) 566-0064

PART NUMBER: DG-TRACK-xx

DESCRIPTION: Floor/Ceiling Track