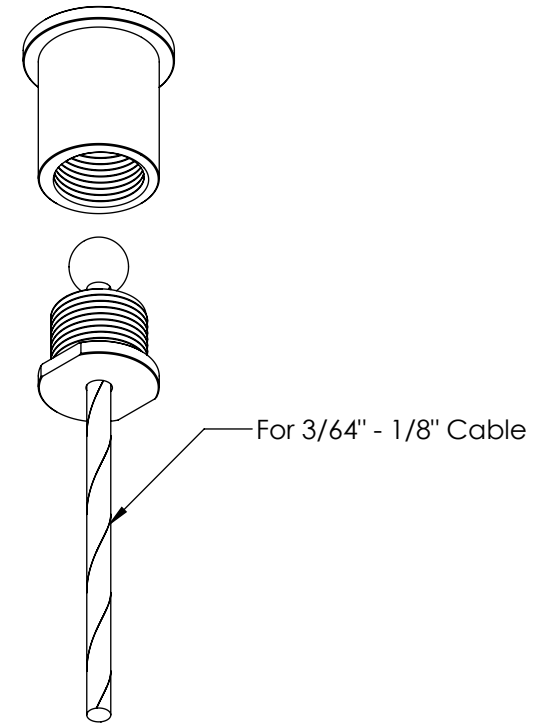
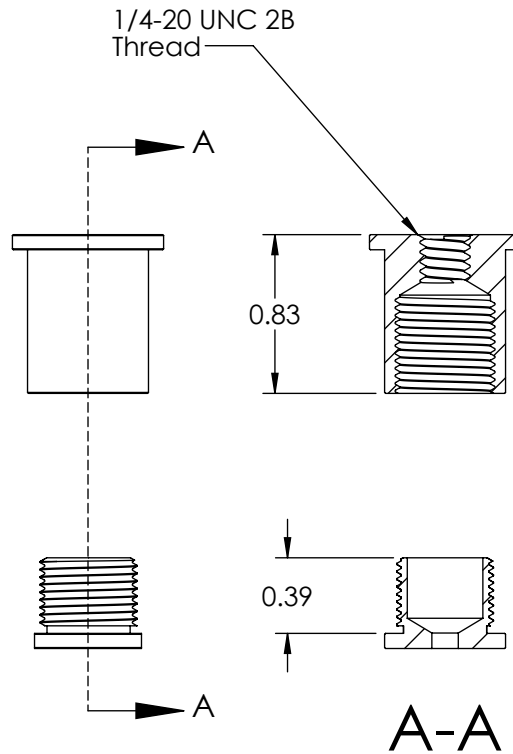
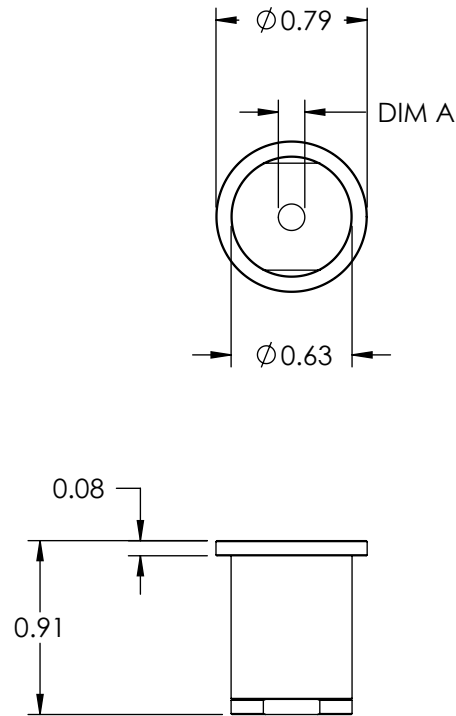


REVISION BLOCK		
REV	DESCRIPTION	DATE



DIM A	GRIPLOCK P/N	CABLE SIZES
0.09	CC-M13-1420-Q2.4	3/64" - 5/64"
0.14	CC-M13-1420-Q3.5	3/32" - 1/8"

Note: Coupler Rated for Full Break Strength of Cable Used

Unless otherwise specified
 1. Dimensions are in inches
 2. Tolerances are:
 .XX ±.01 .XXX ±.005 Angles 1°
 3. Break all edges .005 min
 4. Finish 63 micro inches
 5. Dimensions apply after finish
 6. Concentricity = .025 TIR

PROPRIETARY AND CONFIDENTIAL
 This drawing and these specifications are the exclusive property of GRIPLOCK SYSTEMS LLC. and shall not be divulged, reproduced, copied, or used as the basis for the manufacture or sale of apparatus without the express written authorization of GRIPLOCK SYSTEMS LLC.



GRIPLOCK SYSTEMS
 793 Duncan Reidville Rd. Duncan, SC 29334
 Phone (805) 566-0064 Fax (805) 566-0065

DRAWN BY RDK REV INT
 CHECKED BY

REF: DATE: 01/05/07
 MATERIAL: NICKEL PLATED BRASS
 SCALE: 1:1 FILE: CC-M13-1420-Qx.x

PART NUMBER: **CC-M13-1420-Qx.x**
 DESCRIPTION: **2 Part Cable Coupler for 3/64" -1/8" Cable**