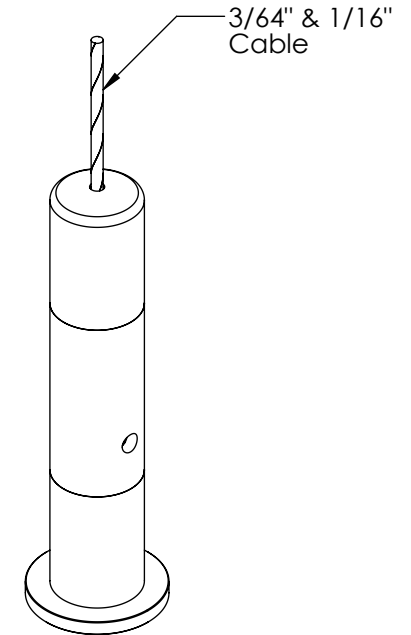
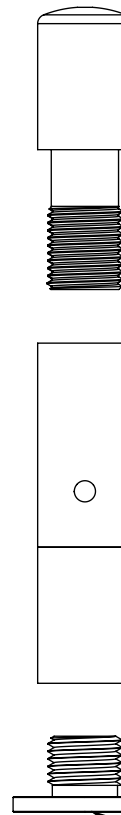
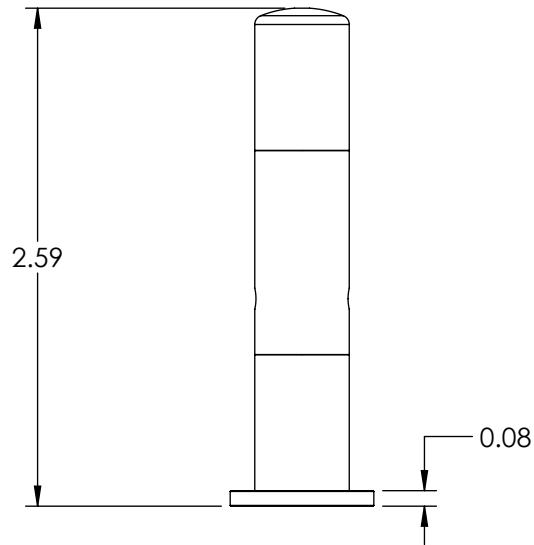
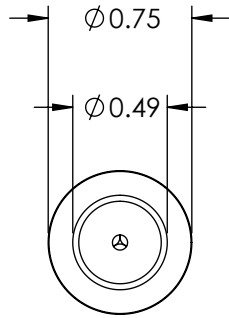


REVISION BLOCK		
REV	DESCRIPTION	DATE



1/4-20 Internal Thread

Unless otherwise specified  
 1. Dimensions are in inches  
 2. Tolerances are:  
 .XX ±.01 .XXX ±.005 Angles 1°  
 3. Break all edges .005 min  
 4. Finish 63 micro inches  
 5. Dimensions apply after finish  
 6. Concentricity = .025 TIR

**PROPRIETARY AND CONFIDENTIAL**  
 This drawing and these specifications are the exclusive property of GRIPLOCK SYSTEMS LLC and shall not be divulged, reproduced, copied, or used as the basis for the manufacture or sale of apparatus without the express written authorization of GRIPLOCK SYSTEMS LLC.



**GRIPLOCK SYSTEMS**  
 1029 Cindy Lane, Carpinteria, CA 93013  
 Phone (805) 566-0064

DRAWN BY RDK | REV  
 CHECKED BY

REF: | DATE: 12/11/13  
 MATERIAL: NICKEL PLATED BRASS  
 SCALE: 1:1 | FILE: DG-TNS-15-xxx

PART NUMBER: DG-TNS15-SAT  
 DESCRIPTION: Gripper w/ Built in Tensioners for 3/64" & 1/16" 7x7 or 7x19 Cable