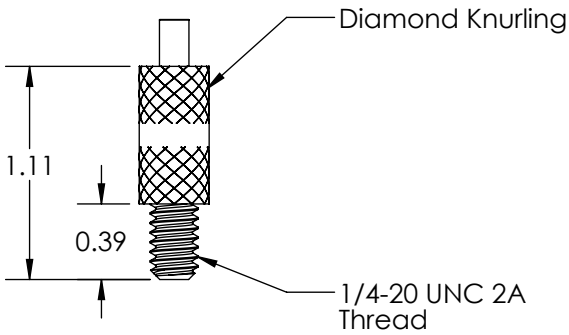
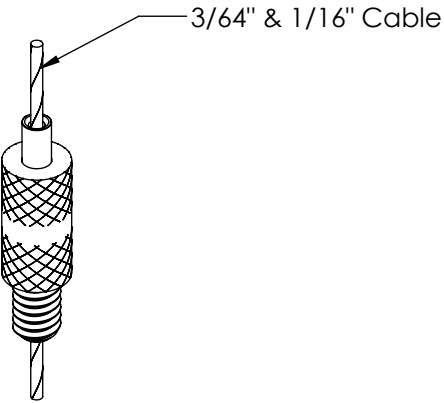
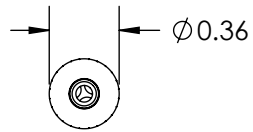


REVISIONS		
REV.	DESCRIPTION	DATE



Unless otherwise specified  
 1. Dimensions are in inches  
 2. Tolerances are:  
 .XX ±.01 .XXX ±.005 Angles 1°  
 3. Break all edges .005 min  
 4. Finish 63 micro inches  
 5. Dimensions apply after finish  
 6. Concentricity = .025 TIR

**PROPRIETARY AND CONFIDENTIAL**

This drawing and these specifications are the exclusive property of GRIPLOCK SYSTEMS LLC. and shall not be divulged, reproduced, copied, or used as the basis for the manufacture or sale of apparatus without the express written authorization of GRIPLOCK SYSTEMS LLC.

DRAWN BY RDK REV INT

REF: DATE: 03/02/2015

CHECKED BY

MATERIAL: NICKEL PLATED BRASS

SCALE: 1:1 FILE: ZF-15-1420 c



**GRIPLOCK SYSTEMS**

793 Duncan Reidville Rd. Duncan, SC 29334  
 Phone (805) 566-0064 Fax (805) 566-0065

PART NUMBER: ZF-15-1420

DESCRIPTION: Gripper for 3/64" & 1/16" 7x7 or 7x19 Cable