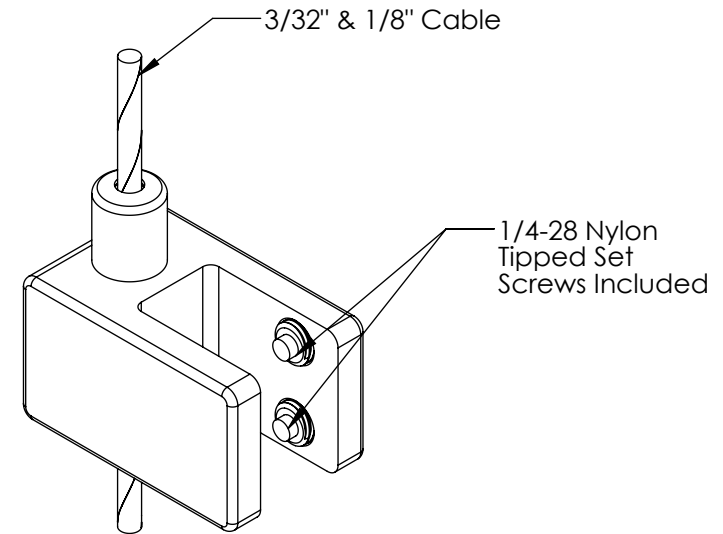
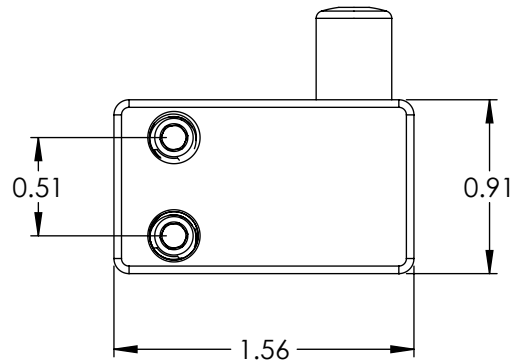
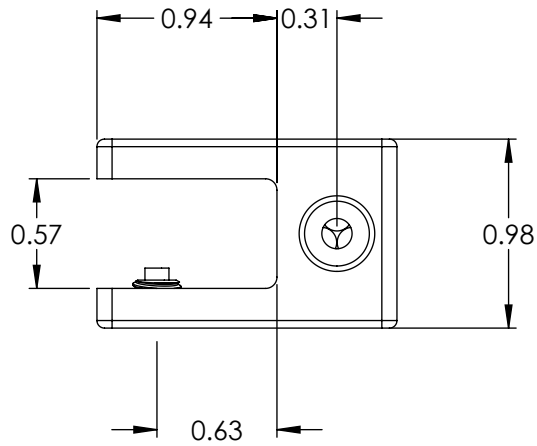


REVISION BLOCK		
REV	DESCRIPTION	DATE



Note: 1 Adhesive Backed Foam Pad Included to Use on Side Opposite of Set Screws

Unless otherwise specified  
 1. Dimensions are in inches  
 2. Tolerances are:  
 .XX ±.01 .XXX ±.005 Angles 1°  
 3. Break all edges .005 min  
 4. Finish 63 micro inches  
 5. Dimensions apply after finish  
 6. Concentricity = .025 TIR

**PROPRIETARY AND CONFIDENTIAL**  
 This drawing and these specifications are the exclusive property of GRIPLOCK SYSTEMS LLC. and shall not be divulged, reproduced, copied, or used as the basis for the manufacture or sale of apparatus without the express written authorization of GRIPLOCK SYSTEMS LLC.

DRAWN BY RDK | REV  
 CHECKED BY

REF: | DATE: 04/09/13  
 MATERIAL: NICKEL PLATED STEEL  
 SCALE: 1:1 | FILE: DG-30-SCL c

**GRIPLOCK SYSTEMS**  
 793 Duncan Reidville Rd. Duncan, SC 29334  
 Phone (805) 566-0064 Fax (805) 566-0065  
 PART NUMBER: **DG-30-SCL**  
 DESCRIPTION: Side Clamp Gripper for  
 3/32" & 1/8" 7x7 or 7x19 Cable