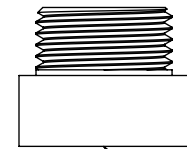
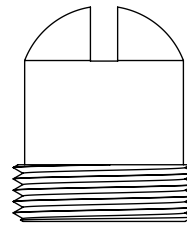
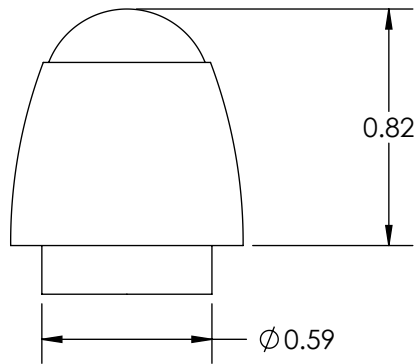
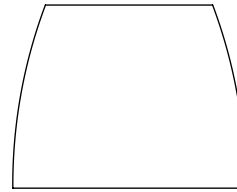
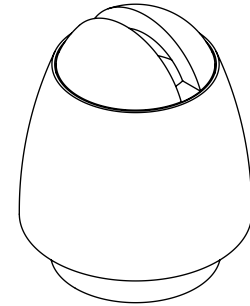
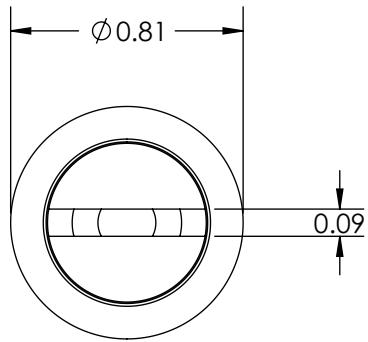


REVISIONS		
REV.	DESCRIPTION	DATE



1/4-20 Threads 2b ∇ 0.374"

Unless otherwise specified
 1. Dimensions are in inches
 2. Tolerances are:
 .XX ±.01 .XXX ±.005 Angles 1°
 3. Break all edges .005 min
 4. Finish 63 micro inches
 5. Dimensions apply after finish
 6. Concentricity = .025 TIR

PROPRIETARY AND CONFIDENTIAL
 This drawing and these specifications are the exclusive property of GRIPLOCK SYSTEMS LLC. and shall not be divulged, reproduced, copied, or used as the basis for the manufacture or sale of apparatus without the express written authorization of GRIPLOCK SYSTEMS LLC.



GRIPLOCK SYSTEMS
 793 Duncan Reidville Rd., Duncan, SC 29334
 Phone (805) 566-0064

DRAWN BY RDK REV INT
 CHECKED BY

REF: DATE: 3/22/2019
 MATERIAL: NICKEL PLATED BRASS
 SCALE: 3:2 FILE: CC-SL-2.4-SR

PART NUMBER: CC-SL-2.4-SR
 DESCRIPTION: SLIP RING SLOPED CABLE CABLE FOR UP TO 5/64" CABLE