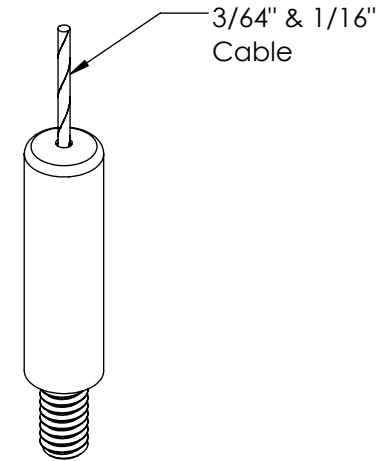
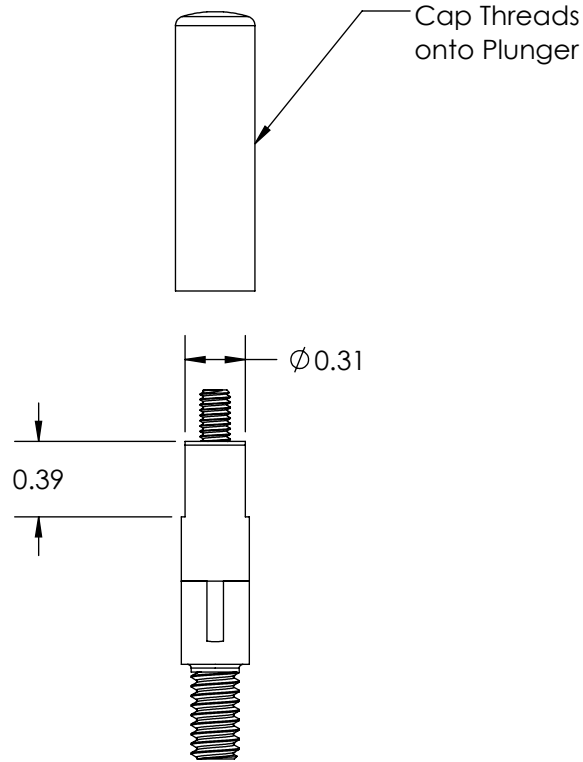
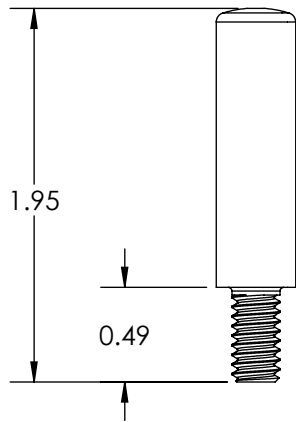
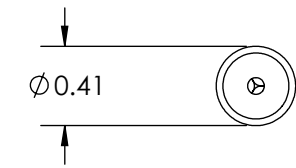


REVISIONS		
REV.	DESCRIPTION	DATE
A	CHANGED EXPLODED VIEW	07/10/17



GRIPLOCK P/N	PLATING
15Z-1420E-KF-SCC	NICKEL
15Z-1420E-KF-SCC-B	BLACK
15Z-1420E-KF-SCC-R	RED

Unless otherwise specified
 1. Dimensions are in inches
 2. Tolerances are:
 .XX \pm .01 .XXX \pm .005 Angles 1°
 3. Break all edges .005 min
 4. Finish 63 micro inches
 5. Dimensions apply after finish
 6. Concentricity = .025 TIR

PROPRIETARY AND CONFIDENTIAL
 This drawing and these specifications are the exclusive property of GRIPLOCK SYSTEMS LLC, and shall not be divulged, reproduced, copied, or used as the basis for the manufacture or sale of apparatus without the express written authorization of GRIPLOCK SYSTEMS LLC.



GRIPLOCK SYSTEMS
 1132 Mark Ave., Carpinteria, CA 93013
 Phone (805) 566-0064 Fax (805) 566-0065
 PART NUMBER: 15Z-1420e-KF-SCC-x
 DESCRIPTION: Gripper for $3/64$ " or $1/16$ " 7x7 or 7x19 Cable

DRAWN BY SID REV INT
 CHECKED BY

REF: DATE: 12/23/2015
 MATERIAL: VARIOUS
 SCALE: 1:1 FILE: 15Z-1420e-KF-SCC-x qc rA