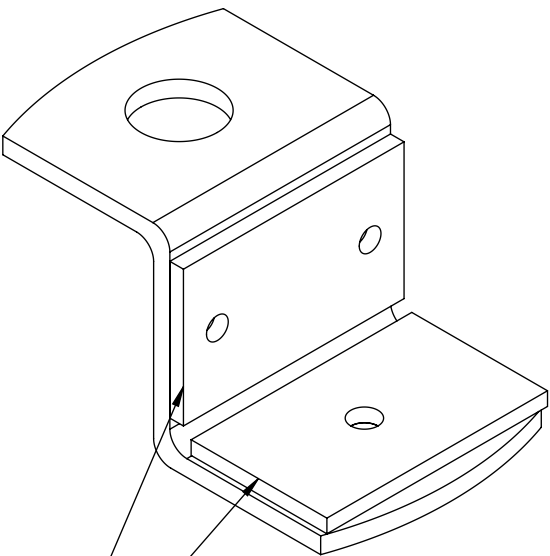
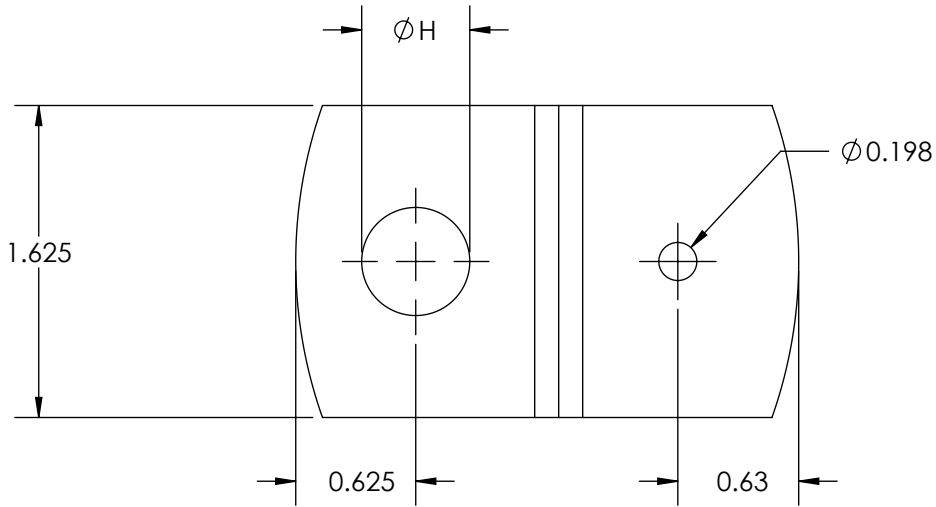
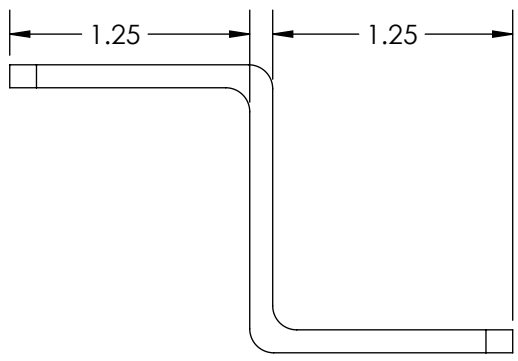
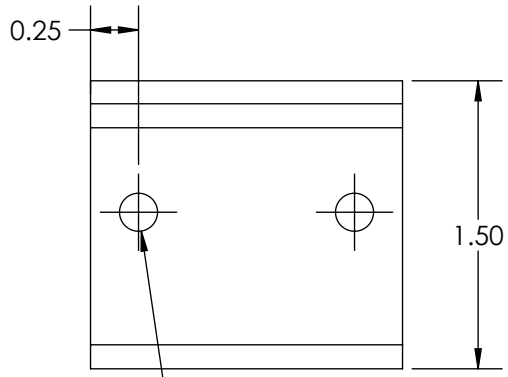


REVISIONS		
REV.	DESCRIPTION	DATE



Neoprene With Adhesive Backing
1/16"-1/8" Thickness.



Material Note:
11GA Carbon Steel Per ASTM1011CS
Zinc Plated Per ASTM B633 Fe/Zn 5
or
11GA Pregalvanized Carbon Steel Per ASTM A653 CS
or Equivalent

H	tolerance	Griplock P/N
0.438	±0.015	HX-HV-CLIP--438
0.563	±0.015	HX-HV-CLIP--563

Unless otherwise specified
1. Dimensions are in inches
2. Tolerances are:
.XX ±.01 .XXX ±.005 Angles 1°
3. Break all edges .005 min
4. Finish 63 micro inches
5. Dimensions apply after finish
6. Concentricity = .025 TIR

PROPRIETARY AND CONFIDENTIAL

This drawing and these specifications are the exclusive property of GRIPLOCK SYSTEMS LLC. and shall not be divulged, reproduced, copied, or used as the basis for the manufacture or sale of apparatus without the express written authorization of GRIPLOCK SYSTEMS LLC.

DRAWN BY NRB REV INT
CHECKED BY

REF: DATE: 3/25/2021
MATERIAL: See Note
SCALE: 1:1 FILE: HX-HV-CLIP



GRIPLOCK SYSTEMS
793 Duncan Reidville Rd., Duncan, SC 29334
Phone (805) 566-0064

PART NUMBER: HX-HV-CLIP-xxx

DESCRIPTION: Hvac Clip