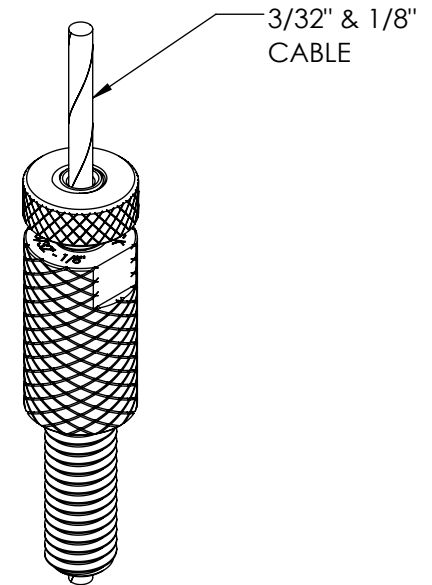
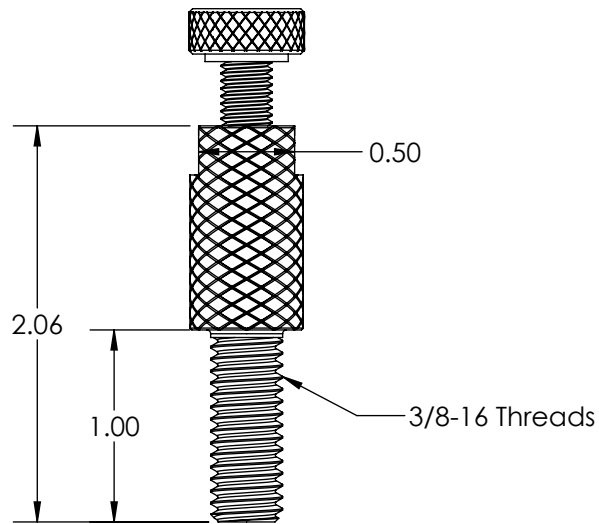
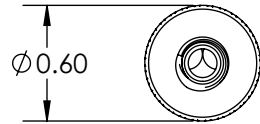


REVISIONS		
REV.	DESCRIPTION	DATE
A	CHANGED ITEM 5 TO HG-30-3816-STUD-1	10/6/22



Unless otherwise specified  
 1. Dimensions are in millimeters  
 2. Tolerances are:  
 All Dimensions  $\pm .125$  Angles 1°  
 3. Break all edges .125 min  
 4. Finish 1.6 micro millimeters  
 5. Dimensions apply after finish  
 6. Concentricity = .6 TIR

**PROPRIETARY AND CONFIDENTIAL**  
 This drawing and these specifications are the exclusive property of GRIPLOCK SYSTEMS LLC. and shall not be divulged, reproduced, copied, or used as the basis for the manufacture or sale of apparatus without the express written authorization of GRIPLOCK SYSTEMS LLC.



**GRIPLOCK SYSTEMS**  
 793 Duncan Reidville Rd., Duncan, SC 29334  
 Phone (805) 566-0064

DRAWN BY RDK REV A  
 CHECKED BY

REF: DATE: 9/15/2022  
 MATERIAL: VARIOUS  
 SCALE: 1:1 FILE: ZF-30-3816-1-S

PART NUMBER: ZF-30-3816-1-S  
 DESCRIPTION: STANDARD GRIPPER FOR 3/32" & 1/8" CABLE