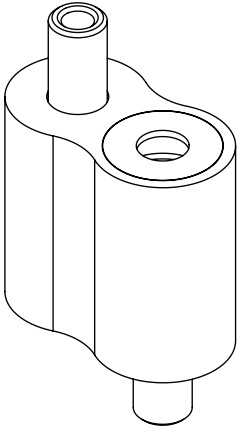
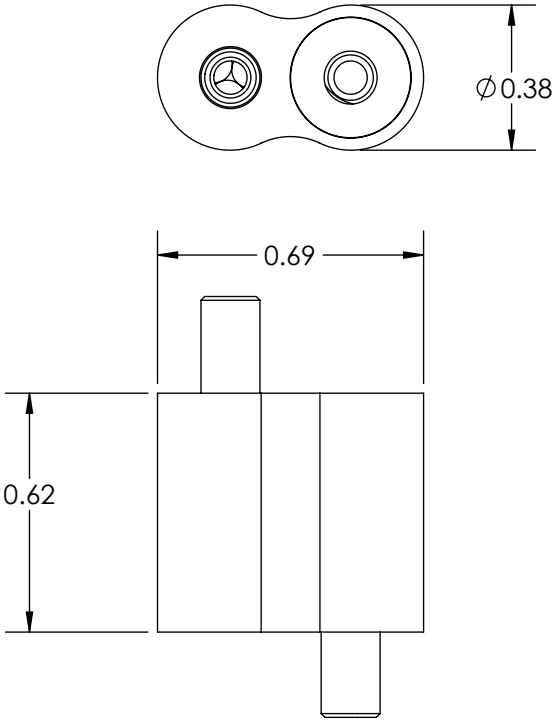


REVISIONS		
REV.	DESCRIPTION	DATE



Unless otherwise specified
 1. Dimensions are in inches
 2. Tolerances are:
 .XX ±.01 .XXX ±.005 Angles 1°
 3. Break all edges .005 min
 4. Finish 63 micro inches
 5. Dimensions apply after finish
 6. Concentricity = .025 TIR

PROPRIETARY AND CONFIDENTIAL

This drawing and these specifications are the exclusive property of GRIPLOCK SYSTEMS LLC. and shall not be divulged, reproduced, copied, or used as the basis for the manufacture or sale of apparatus without the express written authorization of GRIPLOCK SYSTEMS LLC.

DRAWN BY NRB REV INT
 CHECKED BY

REF: DATE: 1/3/2022
 MATERIAL: VARIOUS
 SCALE: 2:1 FILE: ZF-15X2-HG



GRIPLOCK SYSTEMS

793 Duncan Reidville Rd., Duncan, SC 29334
 Phone (805) 566-0064

PART NUMBER: ZF-15X2-HG

DESCRIPTION: Looping Gripper for 3/64" - 1/16" 7x7 or 7x19 Cable