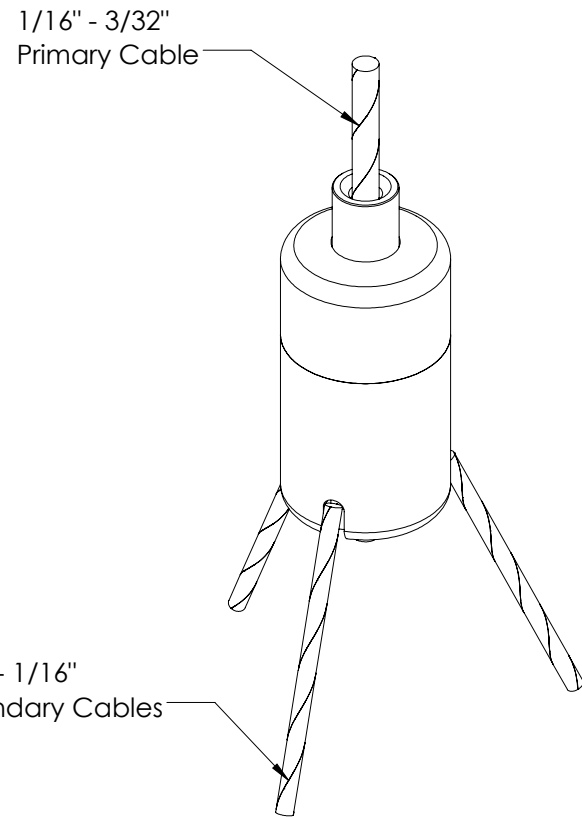
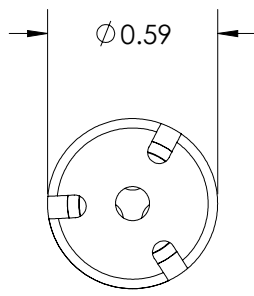
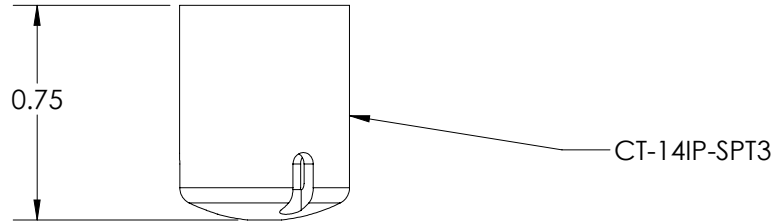
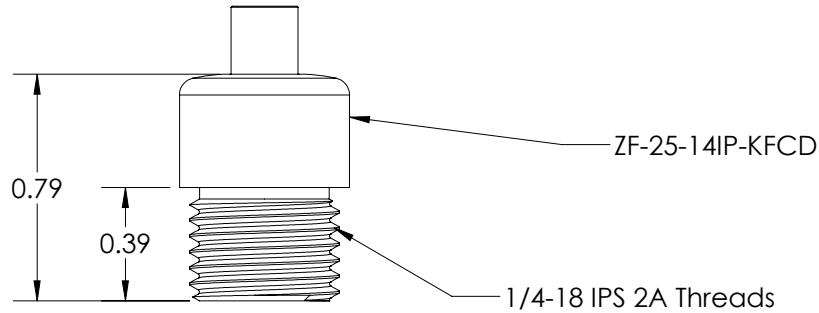


REVISIONS		
REV.	DESCRIPTION	DATE



Unless otherwise specified  
 1. Dimensions are in inches  
 2. Tolerances are:  
 .XX ±.01 .XXX ±.005 Angles 1°  
 3. Break all edges .005 min  
 4. Finish 63 micro inches  
 5. Dimensions apply after finish  
 6. Concentricity = .025 TIR

**PROPRIETARY AND CONFIDENTIAL**  
 This drawing and these specifications are the exclusive property of GRIPLOCK SYSTEMS LLC. and shall not be divulged, reproduced, copied, or used as the basis for the manufacture or sale of apparatus without the express written authorization of GRIPLOCK SYSTEMS LLC.



**GRIPLOCK SYSTEMS**  
 1132 Mark Ave., Carpinteria, CA 93013  
 Phone (805) 566-0064 Fax (805) 566-0065

DRAWN BY NRB REV A  
 CHECKED BY

REF: DATE:  
 MATERIAL: NICKEL PLATED BRASS  
 SCALE: 3:2 FILE: ZF-25-SPT3

PART NUMBER: ZF-25-SPT3  
 DESCRIPTION: Type 25 Standard Sputnik Gripper